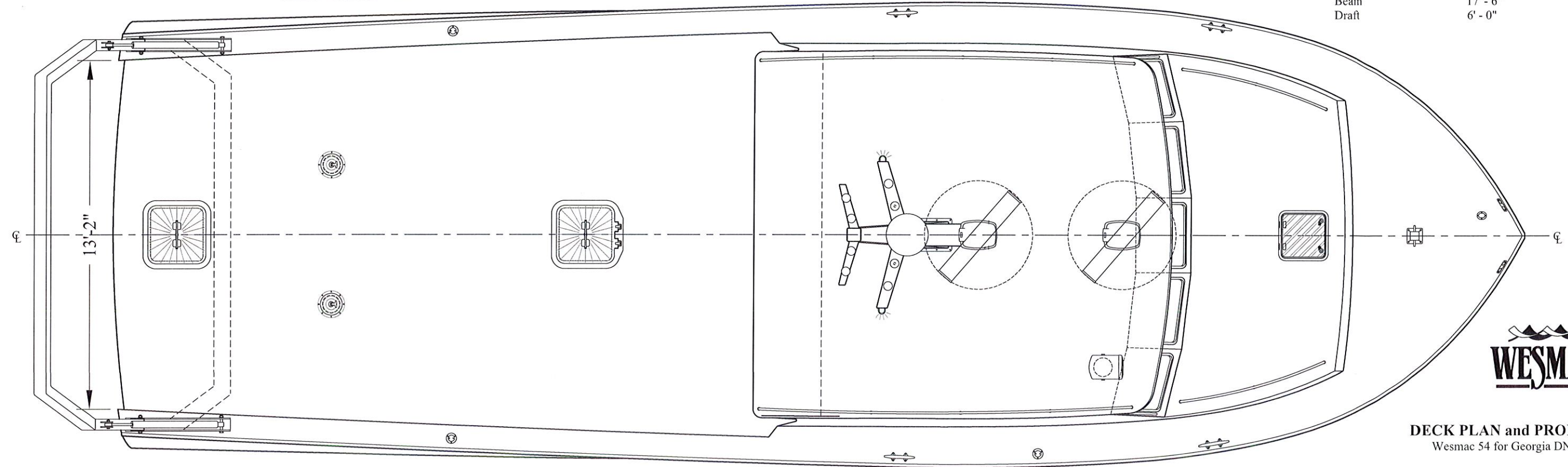


Principal Dimensions

Length Over All	54' - 0"
Length water line	51' - 6"
Beam	17' - 6"
Draft	6' - 0"



DECK PLAN and PROFILE
Wesmac 54 for Georgia DNR